

# TRANSIT SINGLE CHASSIS CAB

## Trend

- Exterior Mirrors – Electric Powered and Heated
- Focused Quad Beam Headlights
- Daytime Running Lights
- Automatic headlights
- Front Fog Lamps
- Automatic Windshield Wiper
- Heated Windshield Defroster (Quickclear)
- Fixed Rear Window
- Driver airbag
- Driver's seat with 4 adjustments, lumbar support, and Armrest
- Dual Passenger Seat (with underneath storage) and Tray Table
- Automatic Air Condition
- Overhead Storage Compartment for Sunglasses
- Locking Lid Glove Box
- Header Mounted Courtesy with 2 Map Lights
- 8" Digital instrument cluster
- 12" touchscreen with SYNC 4, Bluetooth® for wireless phone connection, modem 5G FordPass Connect, AppLink, GNSS antenna (roof fin), 2 USB slots with connection capabilities, 4 speakers
- Wireless Apple CarPlay® and Android Auto™ connection
- Emergency Assistance
- Cruise Control
- Front Parking Aid Sensors
- Digital Rear View Camera
- Speed Sign Recognition
- Pre-Collision Assist #2 – Collision Assistance with Emergency Brake Assist (Emergency Brake Assist), Active Braking, pedestrian detection with proximity warning (Forward Alert)
- Lane keeping aid (with warning Lane-Keeping Alert and Lane Keeping Aid assistance)
- Mechanical Parking Brake for N2 (500) double tire
- Electric Parking Brake for N1 (350)
- Electronic Stability Control (ESC) with traction control
- Hill Launch Assist
- Anti-lock Brake System (ABS)
- Roll Stability Control (RSC)
- Dual Rear Wheels (*Except FWD Automatic*)
- 16" Steel Wheels
- Conventional Steel Spare Wheel
- Stop/Start System
- Power Windows - Up/Down with one touch (drivers side only)
- Remote Central Locking
- Shielded Power Door Dead Locks
- **Pick-up: Aluminium Drop Side Aluminium Float**

Transit Single Cab	Chassis	Pick-Up
<b>350L2</b> (MWB) 2.0D EcoBlue <b>130PS</b> DRWD 6-Speed Manual	€ 37,000	€ 40,000
<b>350L3</b> (LWB) 2.0D EcoBlue <b>130PS</b> DRWD 6-Speed Manual	€ 37,500	€ 40,400
<b>350L3</b> (LWB) 2.0D EcoBlue <b>165PS</b> DRWD 6-Speed Manual	€ 38,500	€ 41,400
<b>350L3</b> (LWB) 2.0D EcoBlue <b>130PS</b> FWD 8-Speed <b>Automatic</b>	€ 35,500	€ 38,000
<b>350L4</b> (EF) 2.0D EcoBlue <b>165PS</b> DRWD 6-Speed Manual	€ 40,000	€ 42,500
<b>350L4</b> (EF) 2.0D EcoBlue <b>165PS</b> DRWD 10-Speed <b>Automatic</b>	€ 42,000	€ 45,000
<b>470L4</b> EF(L4) 2.0D EcoBlue <b>165PS</b> DRWD 6-Speed Manual	€ 41,500	€ 45,000
<b>350L5</b> (ELWB) 2.0D EcoBlue <b>165PS</b> DRWD 6-Speed Manual	€ 40,500	€ 43,400
<b>500L5</b> (ELWB) 2.0D EcoBlue <b>165PS</b> DRWD 10-Speed <b>Automatic</b>	€ 45,500	€ 49,400
Additional for <b>AWD</b> on 350L3 & 350L4 165PS Manual	€ 5,000	
Additional for Premium or Metallic Paint	€ 600	

**5 Years Ford Protect Warranty\* & 12 Years anti corrosion-warranty**

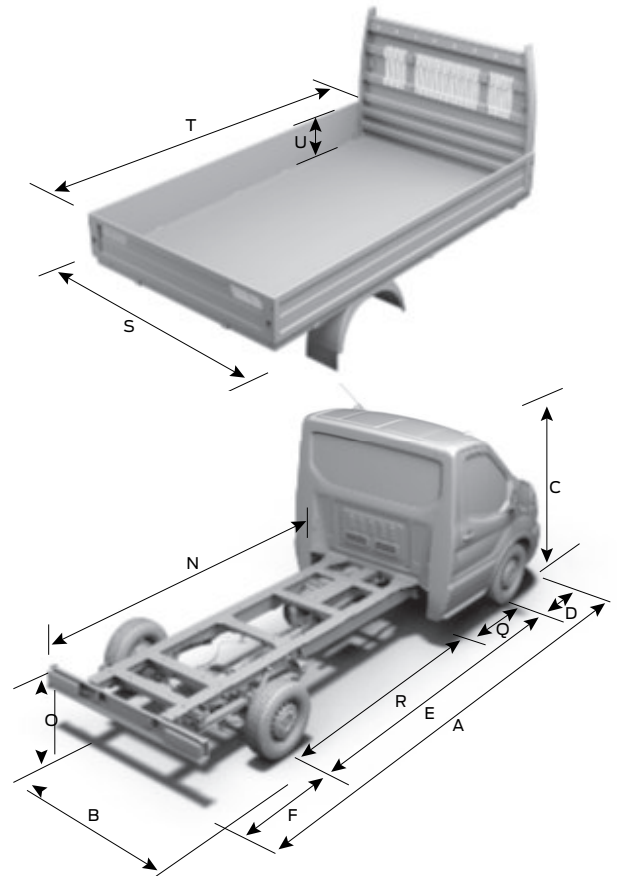
\* 5 year warranty or 200.000 kilometers (whichever comes first).

- The above prices include Import Taxes, VAT 19%, Registration and Road Tax.
- Prices and equipment may change without prior notification.

## Single Cab Dimensions (mm)

	L3 Chassis – Single Cab	L4 Chassis – Single Cab	L5 Chassis – Single Cab
	RWD/ AWD	RWD	RWD
<b>A</b> Overall length	6022	6579	7577
<b>B</b> Overall width with mirrors (standard/wide)	2474/2746	2474/2746	2474/2746
Overall width with folded back mirrors (standard/wide)	2112/2119	2112/2119	2112/2119
Overall width without mirrors (DRW)	2111	2111	2111
<b>C</b> Overall height (maximum)	2202	2214	2206
<b>D</b> Front of vehicle to front wheel centre	1023	1023	1023
<b>E</b> Wheelbase	3954	3954	4522
<b>F</b> Rear of vehicle to rear wheel centre	1045	1602	2032
<b>N</b> Chassis frame length	3592	4149	5147
<b>O</b> Floor/chassis frame height*	736/738	740/752	747/760
<b>Q</b> Rear of cab to front wheel centre	1407	1407	1407
<b>R</b> Rear of cab to rear wheel centre	2547	2547	3115
<b>Float dimensions (mm)**</b>			
Overall length (including float)	6204	6797	7797
Overall width (including float) without mirrors (DRW)	2198	2198	2198
Internal loadspace width (DRW)	2138	2138	2138
Internal loadspace length	3645	4235	5235
Turning circle (m)			
Kerb to kerb	14.0	14.0	15.8

**L3** = Long wheelbase, **RWD** = Rear-wheel drive, **AWD** = All-wheel drive, **DRW** = Dual rear wheel. All dimension (shown in mm) are subject to manufacturing tolerance +/- 50mm and refer to minimum models. All bodywork and equipment must be fitted in accordance with the Transit Body and Equipment Mounting Manual



## Weights and loads

	Max. gross payload (excluding driver) (kg)	Gross vehicle mass (kg)	Min. kerb mass <sup>♦</sup> (excluding driver) (kg)	Front axle plated mass (kg)	Rear axle plated mass (kg)
<b>Single Cab Chassis (3 Seats)</b>					
<b>RWD</b>					
350 L2	1574-1625	3550	1925-1976	1750/1850	2150/2450
350 L3	1510-1603	3550	1948-2040	1750/1850	2250/2450
350 L4	1493-1586	3550	2114-2207	1750/1850	2250/2450
350 L5	1448-1540	3550	2010-2102	1850	2250/2450
470 L3	2565-2415	4700	2115-2135	1850	3300
470 L4	2548-2569	4700	2131-2152	1850	3100/3300
500 L5	2603-2683	5000	2116-2257	1850	3300
<b>AWD</b>					
350 L3	1497-1572	3550	1978-2053	1750/1850	2250/2450
350 L4	1479-1555	3550	1995-2071	1750/1850	2250/2450
<b>Single Cab Pick-Up (3 Seats)</b>					
<b>RWD</b>					
350 L2	1270-1321	3550	2229-2280	1750/1850	2150/2450
350 L3	1170-1263	3550	2287-2380	1750/1850	2250/2450
350 L4	1111-1204	3550	2346-2439	1750/1850	2250/2450
350 L5	977-1069	3550	2481-2573	1850	2250/2450
470 L3	2215-2236	4700	2464-2485	1850	3300
470 L4	2150-2171	4700	2529-2550	1850	3100/3300
500 L5	2115-2195	5000	2604-2726	1850	3300
<b>AWD</b>					
350 L3	1157-1232	3550	2318-2393	1750/1850	2250/2450
350 L4	1098-1173	3550	2377-2452	1750/1850	2250/2450